

ILLUSTRATED PARTS LIST

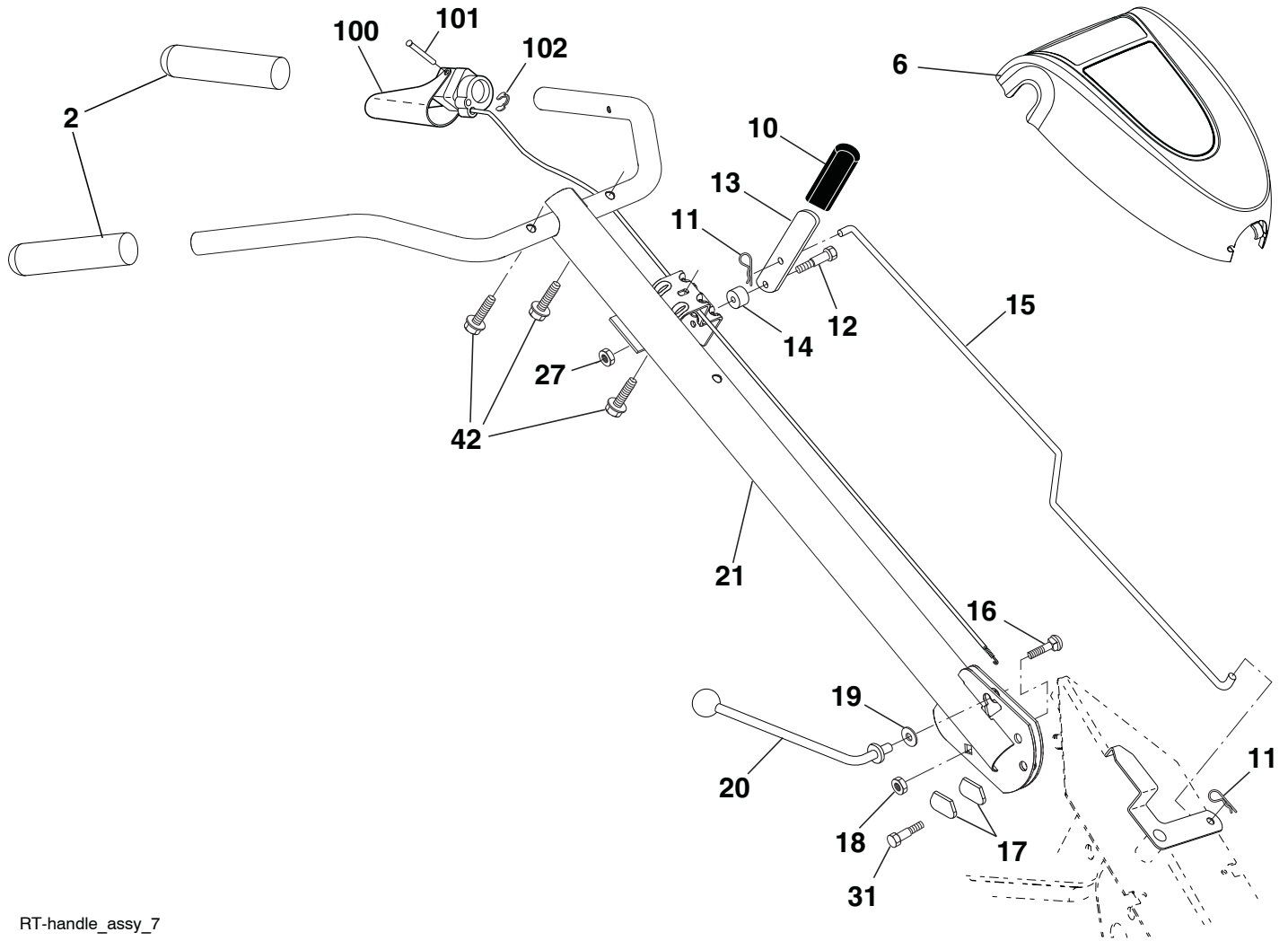


REAR TINE TILLER

MODEL NUMBER: TR314C

MFG. ID. NUMBER: 96093002800

HUSQVARNA REAR TINE TILLER - MODEL NO. TR314C (MFG. ID. NO. 96093002800)
HANDLE ASSEMBLY



RT-handle_assy_7

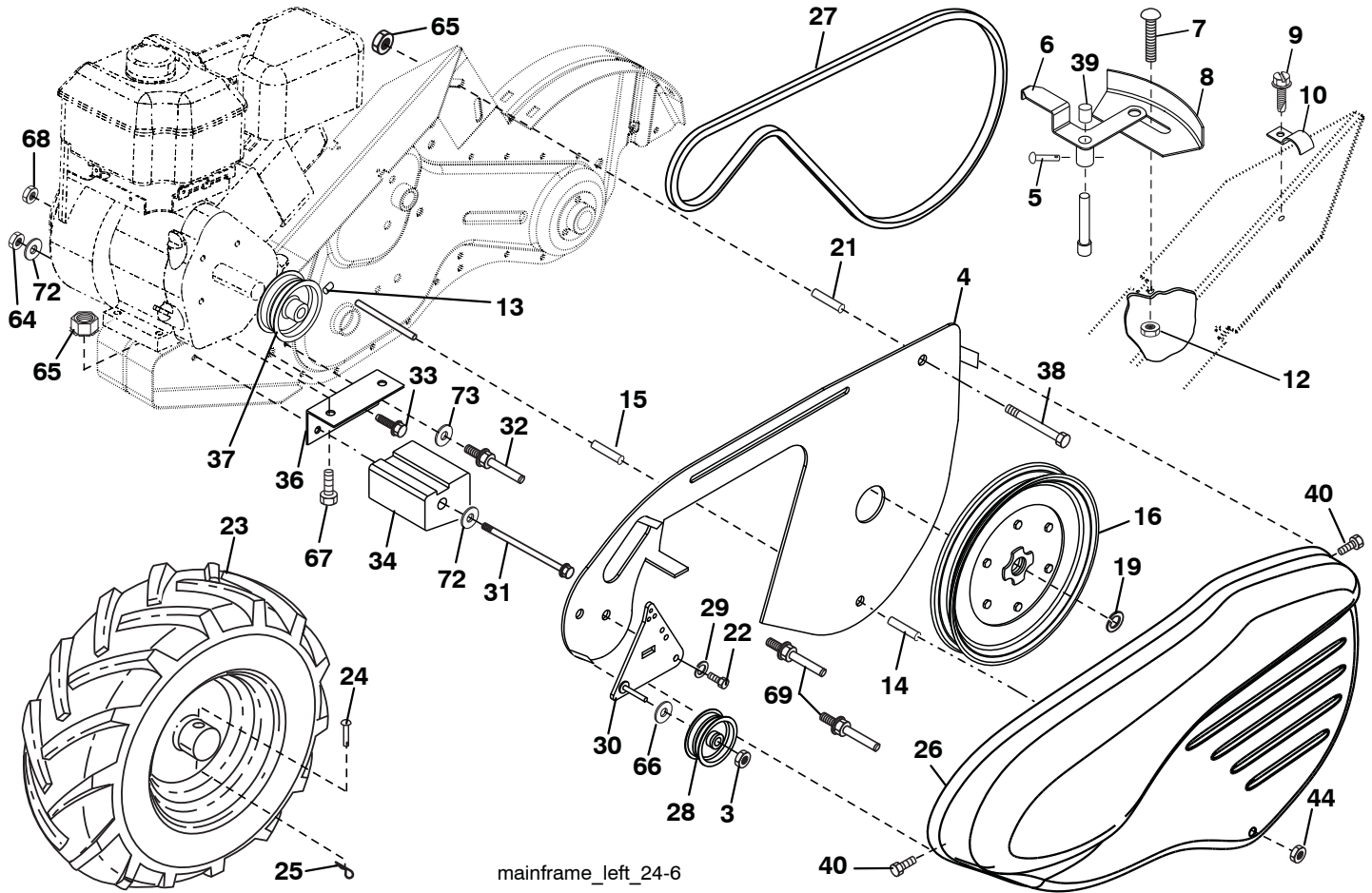
KEY NO.	PART NO.	DESCRIPTION
2	532 42 76-43	Grip, Handle
6	501 85 71-17	Panel, Control
10	532 12 47-97	Grip, Handle
11	532 12 47-88	Clip, Hairpin
12	532 08 13-28	Bolt, Shoulder
13	581 85 12-01	Handle, Shift
14	532 10 93-13	Grommet, Rubber
15	501 72 13-01	Rod, Shift
16	532 08 13-28	Bolt, Hex Head, Shoulder, 1/4-20
17	532 10 92-29	Lock, Handle
18	873 68 06-00	Nut, Crownlock, 3/8-16 UNC

KEY NO.	PART NO.	DESCRIPTION
19	819 13 16-11	Washer, 13/32 x 1 x 11 Gauge
20	532 10 92-28	Lever, Lock, Handle
21	532 44 61-56	Handle
27	873 90 04-00	Nut, Hex, Flanged, 1/4-20 UNC
31	532 15 06-96	Bolt, Pivot
42	532 41 63-58	Screw
100	532 19 31-33	Lever
101	532 18 85-55	Pin, Pivot
102	812 00 00-59	Retaining Ring

NOTE: All component dimensions given in U.S. inches.
 1 inch = 25.4 mm

HUSQVARNA REAR TINE TILLER - MODEL NO. TR314C (MFG. ID. NO. 96093002800)

MAINFRAME, LEFT SIDE

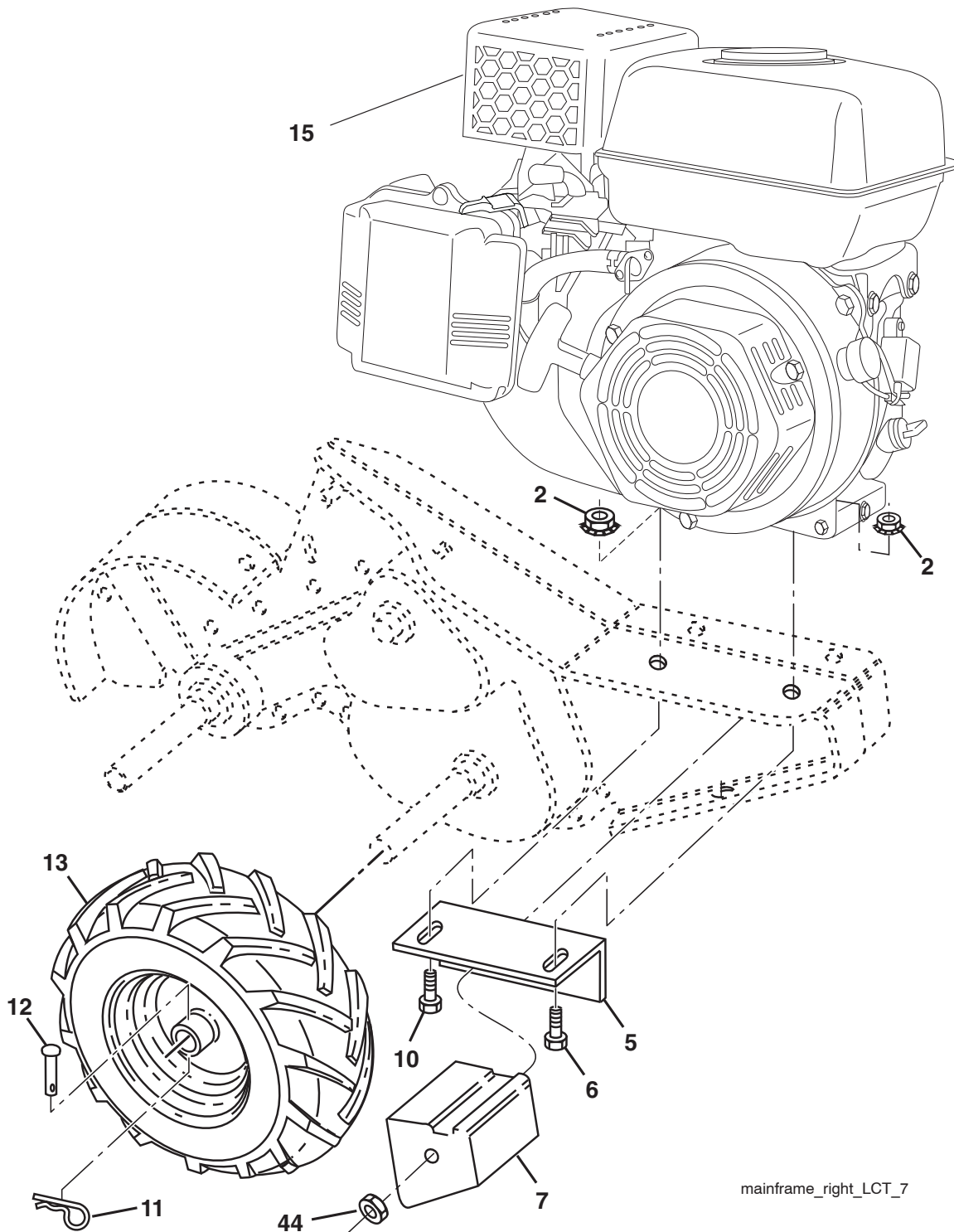


KEY PART NO.	PART NO.	DESCRIPTION
3	873 93 06-00	Nut, Centerlock, 3/8-16 UNC
4	583 87 77-01	Shield, Inner, Belt Guard, R.H.
5	532 16 43-29	Pin, Spiral Flared
6	532 11 01-11	Lever, Shift
7	872 11 04-04	Bolt, Carriage, Grade 5, 1/4-20 x 1/2
8	581 84 50-01	Plate, Shift Indicator
9	532 08 67-77	Screw, Hex Washer Head, Slotted, #10-24 x 1/2
10	532 44 60-45	Clip
12	873 51 04-00	Nut, Hex, Keps, 1/4-20 UNC
13	823 23 05-06	Screw, Set, Hex, 5/16-18 x 3/8
14	532 15 61-17	Spacer, Split, 0.327 x 0.42 x 1.22
15	585 83 12-01	Spacer, Split
16	532 14 51-02	Sheave, Transmission
19	812 00 00-28	Retainer, Ring
21	585 83 08-01	Spacer, Split
22	874 77 05-08	Bolt, Hex Head, 5/16-24 UNF x 1/2
23	581 57 67-01	Wheel & Tire Assembly
24	532 17 12-71	Rivet, Drilled
25	532 12 47-88	Clip, Hairpin
26	532 44 04-38	Guard, Belt
27	532 13 28-01	Belt, V
28	532 10 46-79	Pulley, Idler
29	812 00 00-32	Ring, Klip

KEY PART NO.	PART NO.	DESCRIPTION
30	584 28 92-01	Bracket, Idler
31	581 74 72-01	Bolt, Hex Head, 3/8-16 UNC x 10
32	532 10 21-41	Shaft, Idler Arm
33	874 76 06-16	Bolt, Hex Head, 3/8-16 x 1
34	581 01 06-01	Counterweight
36	581 86 48-01	Bracket, Reinforcement, L.H.
37	582 03 20-01	Sheave, Engine
38	874 76 05-44	Bolt, Hex Head, 5/16-18 UNC x 2-3/4
39	532 14 00-62	Cap, Plunger, Black
40	532 17 04-88	Screw, Hex Washer Head, Slotted, #10-24 x 1/2
44	873 80 05-00	Locknut, Hex, with Washer Insert, 5/16-18 UNC
64	873 68 06-00	Nut, Hex
65	873 97 05-00	Locknut, Hex, Flanged
66	819 13 13-16	Washer, Flat, 3/8 SAE
67	874 76 05-24	Bolt, Hex Head, 5/16-18 x 1-1/2
68	873 51 06-00	Nut, Hex, Keps, 3/8-16 UNC
69	532 16 41-73	Keeper, Belt, Engine
72	819 13 20-12	Washer, Flat
73	819 13 13-12	Washer 13/32 x 13/16 x 12 Gauge

NOTE: All component dimensions given in U.S. inches.
1 inch = 25.4 mm

HUSQVARNA REAR TINE TILLER - MODEL NO. TR314C (MFG. ID. NO. 96093002800)
MAINFRAME, RIGHT SIDE



mainframe_right_LCT_7

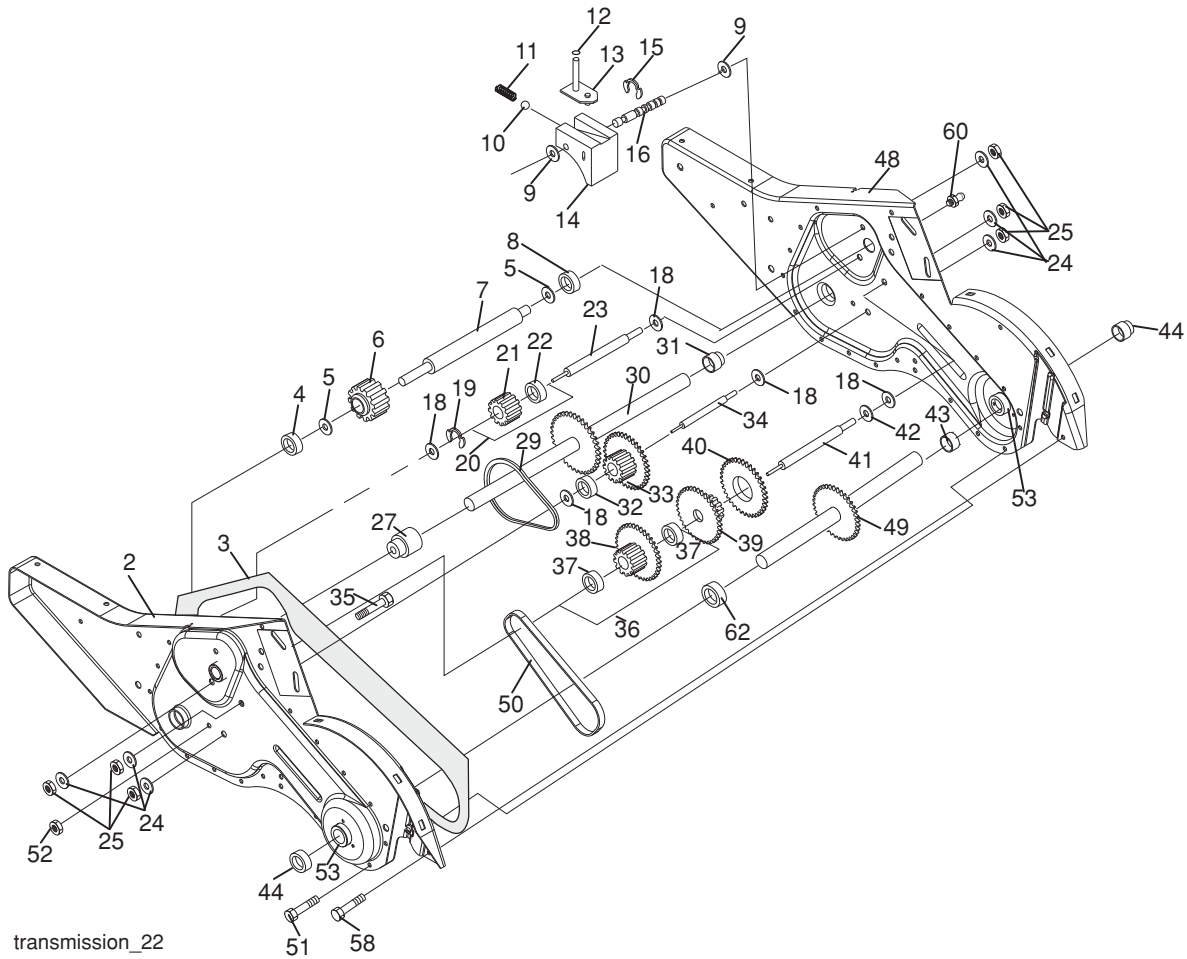
KEY NO.	PART NO.	DESCRIPTION
2	873 97 05-00	Locknut, Hex, Flanged, 5/16-18
5	581 86 47-01	Bracket, Reinforcement, R.H.
6	874 76 05-28	Bolt, Hex Head
7	581 01 04-01	Counterweight
10	874 76 05-24	Bolt, Hex Head, 5/16-18 x 1-1/2
11	532 12 47-88	Clip, Hairpin
12	532 17 12-71	Rivet, Drilled
13	581 57 67-03	Wheel & Tire Assembly

KEY NO.	PART NO.	DESCRIPTION
15	590 96 26-01	Engine, LCT, Model Number PLMHK14650124P
44	873 51 06-00	Nut, Hex, Keps, 3/8-16 UNC

NOTE: All component dimensions given in U.S. inches
 1 inch = 25.4 mm

HUSQVARNA REAR TINE TILLER - MODEL NO. TR314C (MFG. ID. NO. 96093002800)

TRANSMISSION



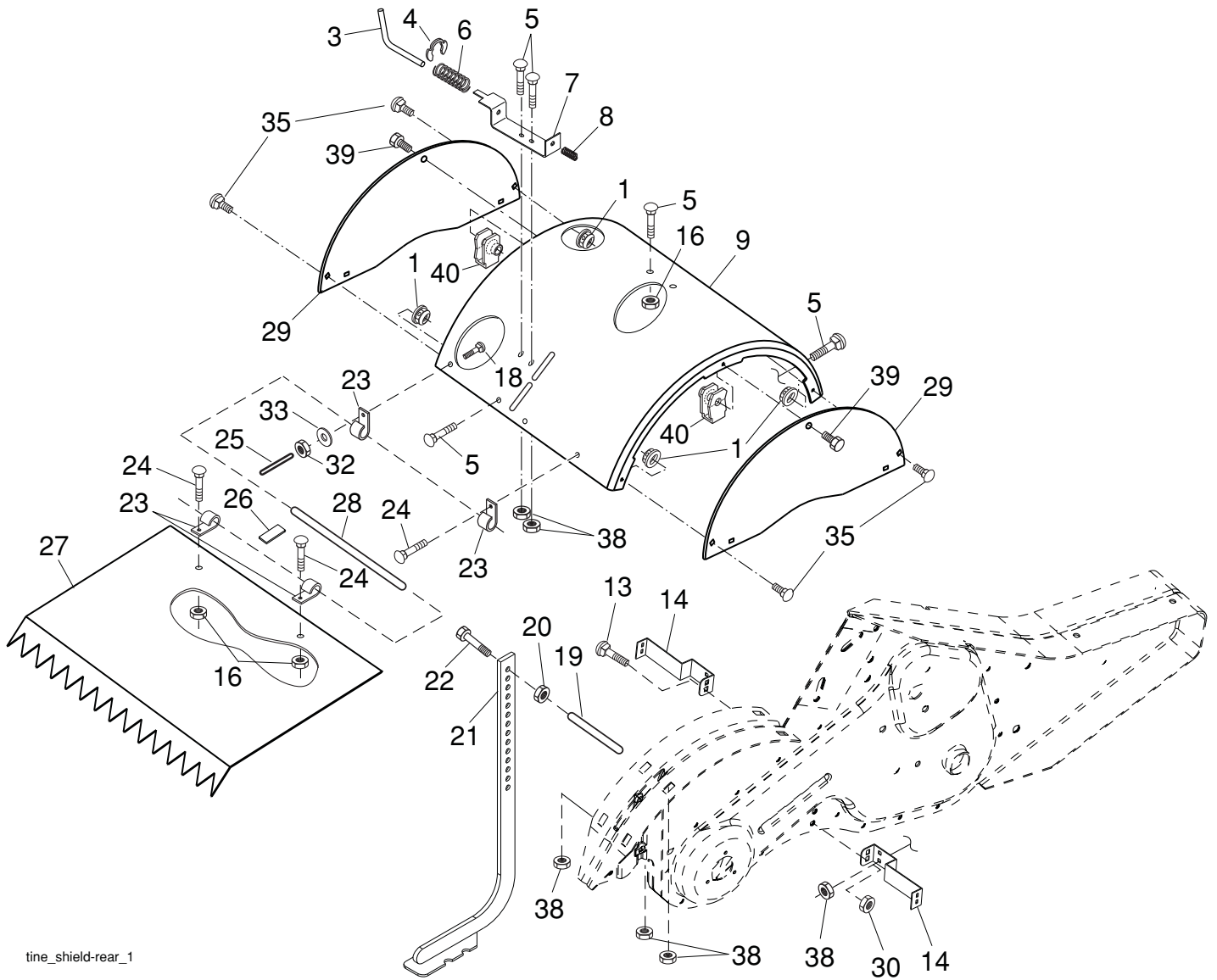
transmission_22

KEY NO.	PART NO.	DESCRIPTION	KEY NO.	PART NO.	DESCRIPTION
1	532 18 10-98	Transmission Assembly (Includes Key Numbers 2-53)	30	532 15 07-37	Ground Shaft Assembly
2	532 18 84-82	Gear Case, L.H., with Bearing (Includes Key Number 4)	31	532 14 30-08	Bearing, Shaft, Ground Drive, R.H.
3	501 60 63-01	Gasket, Gearcase	32	532 10 63-88	Spacer, 0.70 x 1.00 x 1.150
4	532 00 50-20	Bearing, Needle	33	532 10 21-21	Sprocket and Gear Assembly
5	532 00 13-70	Washer, Thrust, 5/8 x 1.10 x 1/32	34	532 10 21-12	Shaft, Reduction (2nd)
6	586 19 63-01	Pinion, Input	35	532 10 21-01	Screw, WhizLock, 5/16-18 x 3-1/2
7	532 14 51-01	Shaft, Input	36	532 15 43-55	Sprocket Assembly, with Bearing (Includes Key Numbers 37 and 38)
8	585 69 55-02	Bearing, Needle	37	532 12 47-92	Bearing, Needle
9	532 15 44-67	Washer, Seal	38	532 15 43-56	Sprocket, Tine
10	532 12 46-97	Ball, Steel	39	532 10 53-45	Gear, Cluster, Red, 1st & 2nd
11	532 10 03-71	Spring, Shift, Fork	40	532 10 53-46	Gear, Reverse
12	532 10 61-60	O-Ring	41	532 00 83-58	Shaft, Reduction (1st)
13	532 14 21-45	Arm, Shift	42	532 00 42-20	Washer, Thrust
14	532 00 83-53	Fork, Shift	43	532 10 61-46	Spacer, 1.01 x 1.75 x 0.760
15	812 00 00-39	Ring, Klip	44	532 15 52-36	Seal Assembly, Oil
16	532 15 44-66	Shaft, Shift	48	532 18 84-85	Gear Case, R.H. with Bearing (Includes Key Number 8)
18	532 00 43-58	Washer	49	532 43 14-85	Shaft, Tine
19	812 00 00-40	Ring, Klip	50	532 10 61-47	Chain, Roller, #50-50 Pitch
20	532 10 21-14	Gear Assembly, Reverse Idler (Includes Key Numbers 21 and 22)	51	817 72 04-08	Screw, 1/4-20 x 1/2
21	532 10 21-15	Gear, Reverse Idler	52	873 22 05-00	Nut, Hex, 5/16-18
22	532 00 68-03	Bearing, Needle	53	532 16 51-40	Kit, Bearing
23	532 10 21-11	Shaft, Reverse Idler	58	532 17 95-20	Bolt, Shoulder, 1/4-20 UNC x 7/8
24	810 04 07-00	Washer, Lock, 7/16	60	532 18 32-26	Fitting, Grease
25	873 61 07-00	Nut, Hex, 7/16-20	62	532 43 10-15	Spacer
27	532 43 12-19	Bearing, Shaft, Ground Drive, L.H.	--	589 31 04-01	Grease, Plastilube #1
29	532 10 21-34	Chain, #35-50 Pitch			

NOTE: All component dimensions given in U.S. inches
1 inch = 25.4 mm

HUSQVARNA REAR TINE TILLER - MODEL NO. TR314C (MFG. ID. NO. 96093002800)

TINE SHIELD



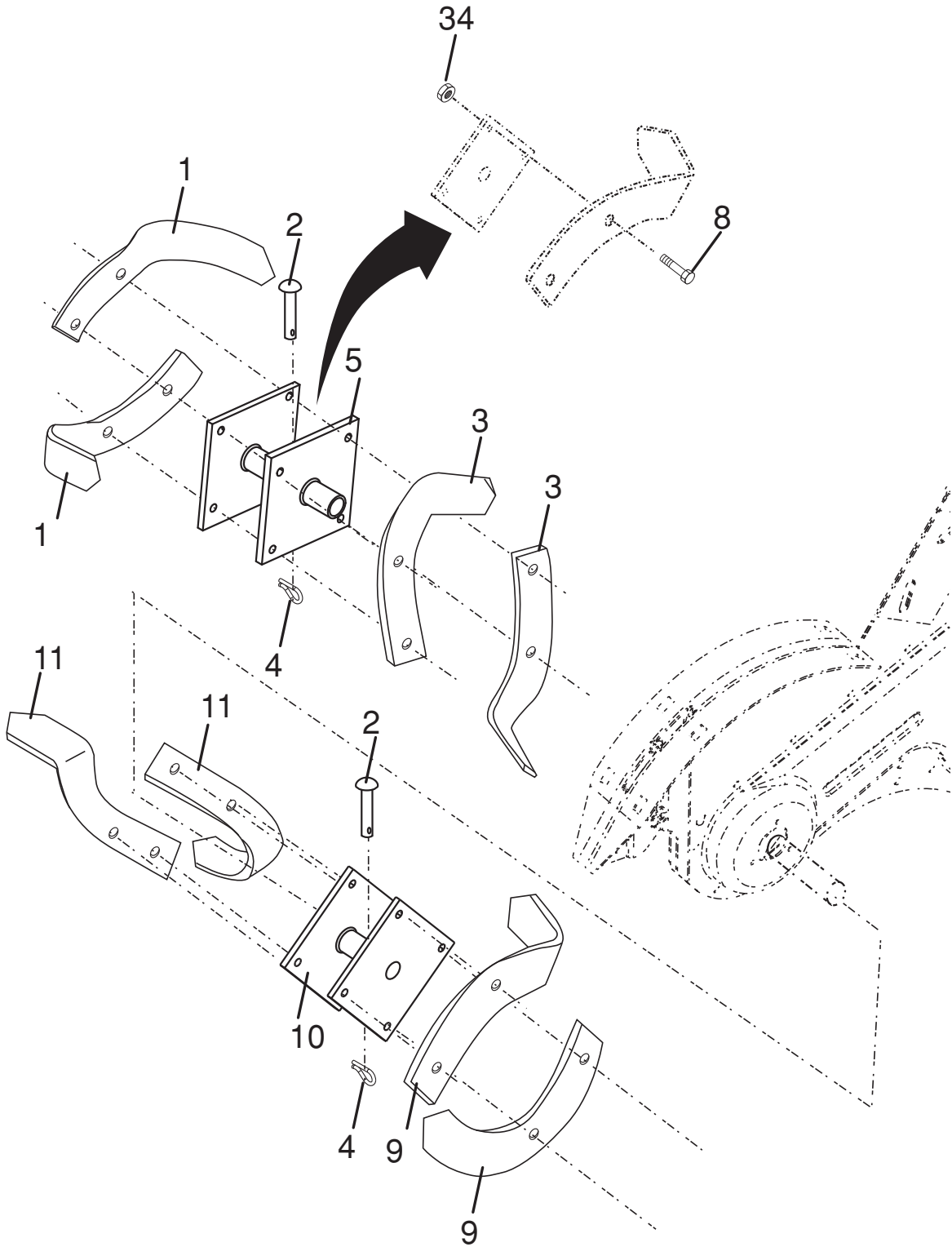
tine_shield-rear_1

KEY NO.	PART NO.	DESCRIPTION
1	532 15 53-77	Locknut, Hex, Flanged, 5/16-18
3	532 00 83-93	Pin, Depth Stake
4	812 12 46-60	Ring, Klip
5	532 18 08-47	Bolt, Carriage, 5/16-18 x 3/4
6	532 00 83-94	Spring
7	581 85 08-01	Bracket, Latch
8	532 10 92-30	Spring, Depth Stake
9	532 44 64-49	Shield, Tine
13	872 11 05-10	Bolt, Carriage, 5/16-18 x 1-1/4
14	581 84 88-01	Bracket, Shield, Tine
16	873 90 04-00	Nut, Hex, Flanged, 1/4-20 UNC
18	872 04 04-10	Bolt, Carriage, Grade 5, 1/4-20 x 1-1/4
19	532 10 27-01	Grip
20	873 22 06-00	Nut, Hex, 3/8-16
21	532 12 50-00	Stake, Depth
22	874 93 06-32	Bolt, Hex Head, 3/8-16 x 2

KEY NO.	PART NO.	DESCRIPTION
23	532 00 44-40	Hinge
24	872 14 04-04	Bolt, Carriage, Grade 5, 1/4-20 x 1/2
25	532 12 47-17	Cap, Vinyl
26	532 10 92-27	Pad, Idler
27	532 44 64-52	Shield, Leveling
28	532 12 05-88	Pin, Hinge
29	581 81 27-06	Shield, Side
30	873 97 05-00	Locknut, Hex, Flanged
32	873 22 04-00	Nut, Hex, 1/4-20 UNC
33	810 04 04-00	Washer, Lock, Heavy Helical, 1/4
35	872 11 05-05	Bolt, Carriage
38	873 51 05-00	Nut, Hex, Keps, 5/16-18 UNC
39	532 42 88-67	Bolt, Hex Head
40	532 18 11-56	Nut, Speed

NOTE: All component dimensions given in U.S. inches.
1 inch = 25.4 mm

HUSQVARNA REAR TINE TILLER - MODEL NO. TR314C (MFG. ID. NO. 96093002800)
TINE ASSEMBLY

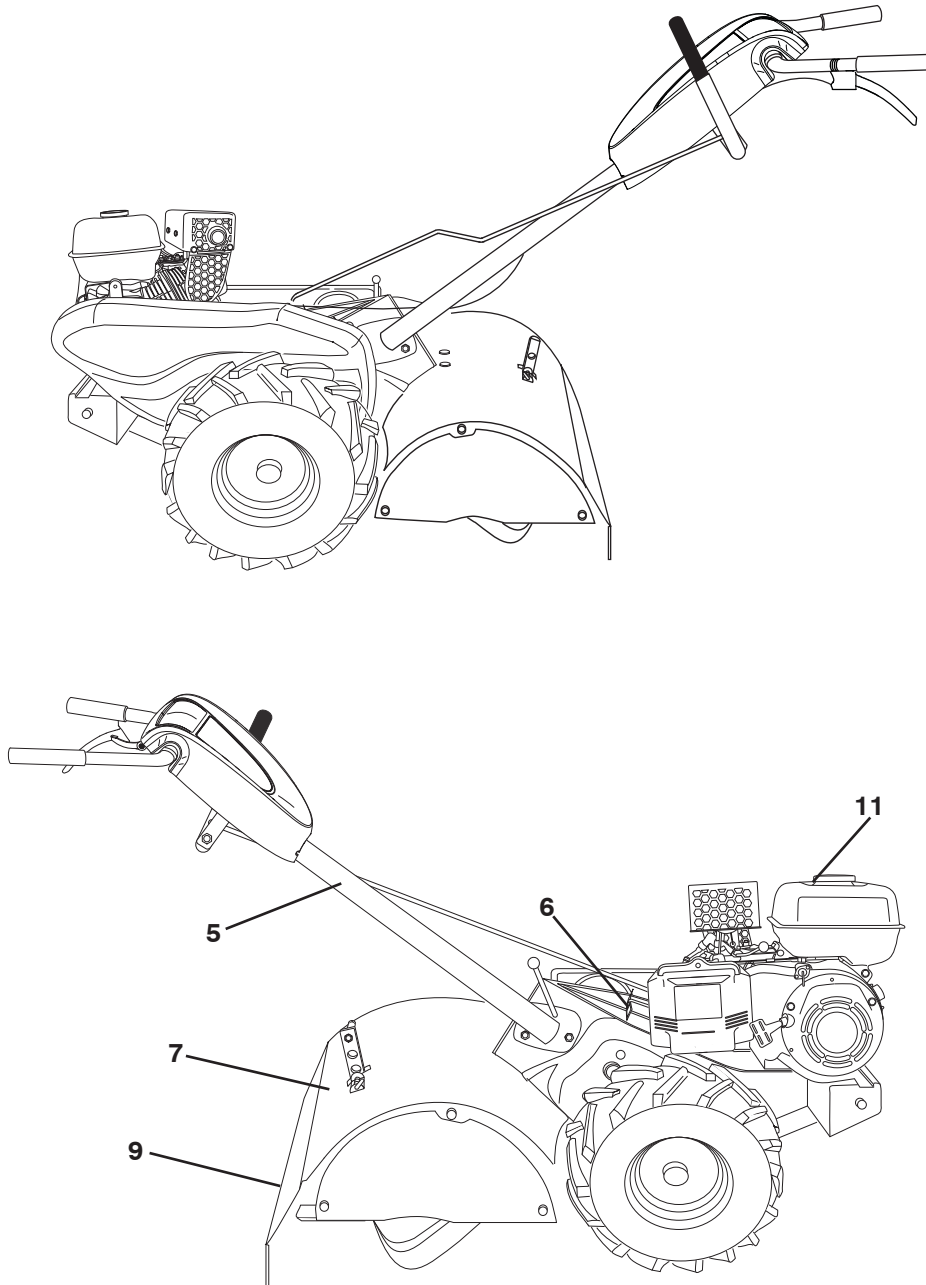


KEY NO.	PART NO.	DESCRIPTION
1	532 00 44-59	Tine, Outer, L.H.
2	532 13 26-73	Clevis Pin
3	532 00 65-54	Tine, Inner, L.H.
4	532 12 46-60	Retainer, Spring, Zinc
5	584 30 96-01	Assembly, Hub and Plate, L.H.
8	874 61 06-16	Bolt, Hex Head, 3/8-24 x 1

KEY NO.	PART NO.	DESCRIPTION
9	532 00 44-60	Tine, Outer, R.H.
10	584 30 96-02	Assembly, Hub and Plate, R.H.
11	532 00 65-55	Tine, Inner, R.H.
34	873 54 06-00	Nut, Hex, Crownlock, 3/8-24

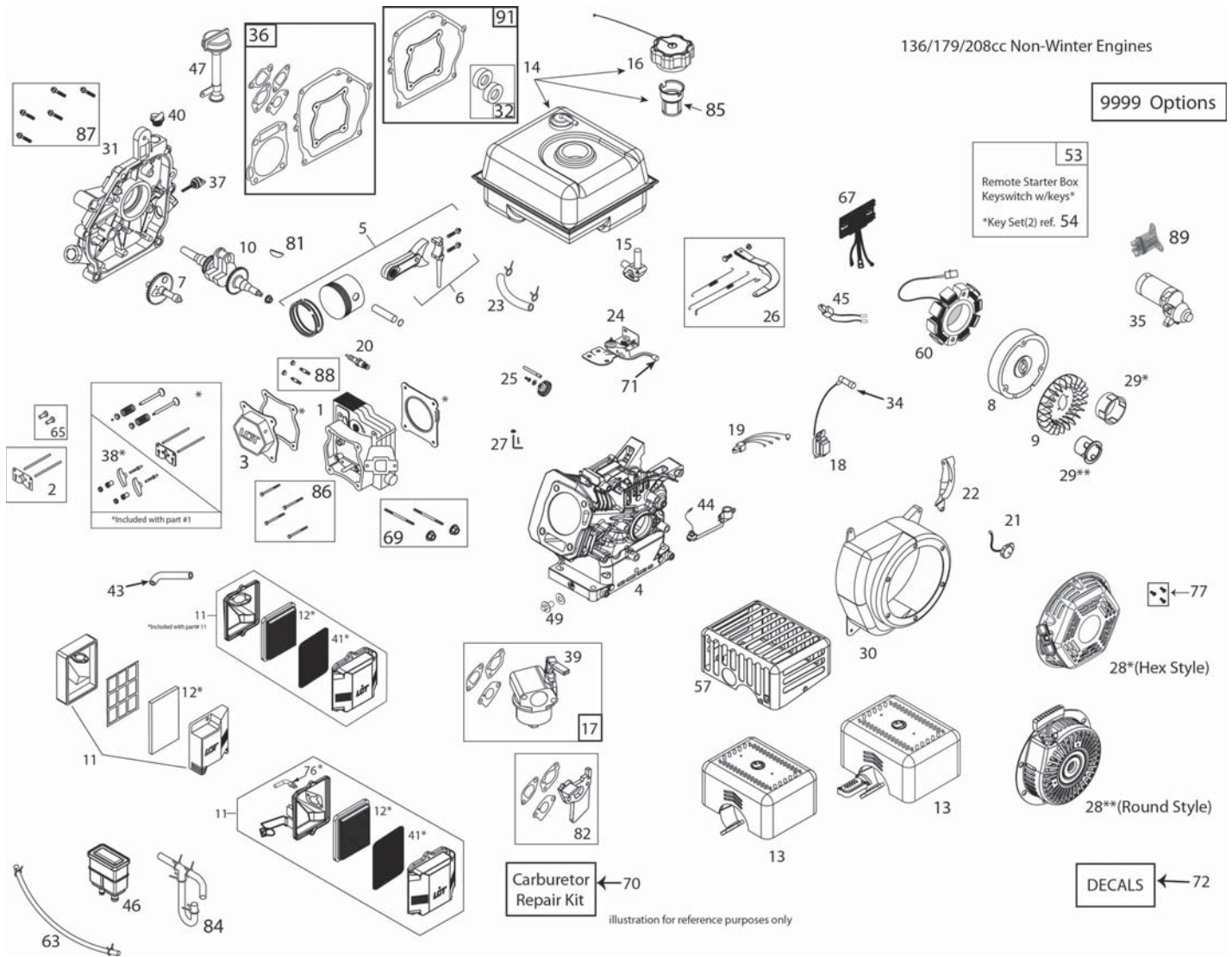
NOTE: All component dimensions given in U.S. inches.
 1 inch = 25.4 mm

**HUSQVARNA REAR TINE TILLER - MODEL NO. TR314C (MFG. ID. NO. 96093002800)
DECALS**



KEY NO.	PART NO.	DESCRIPTION
5	532 11 06-14	Decal, Hand Placement
6	532 10 21-80	Decal, Shift Indicator
7	532 42 29-72	Decal, Warning
9	532 12 00-76	Decal, Warning, Rotating Tines
11	587 92 10-01	Decal, Ethanol Warning
--	115 93 95-32	Manual, Operator's, English / French
--	115 93 95-46	Manual, Operator's, Spanish

HUSQVARNA REAR TINE TILLER - MODEL NO. TR314C (MFG. ID. NO. 96093002800)
LCT ENGINE, MODEL NUMBER PLMHK14650124P **COMPLETE ENGINE: 590962601**



KEY NO.	PART NO.	DESCRIPTION	KEY NO.	PART NO.	DESCRIPTION
1	532 42 05-78	CYLINDER HEAD ASSEMBLY - 208CC (INCL. GASKET) EPA III	12	532 43 27-15	AIR FILTER ELEMENT (PLEATED PAPER W/PRE-FILTER) (136/208CC)
2	532 42 05-79	PUSH ROD & PLATE KIT (208CC) (INCL. VALVE COVER GSKT)	13	532 42 05-90	MUFFLER (50-STATE SILVER LOW TEMP)(PTO-SIDE)
3	532 42 05-80	VALVE COVER (208CC) (INCL. GASKET)	14	580 35 27-01	FUEL TANK (2.7L BLACK W/ STANT CAP)
5	532 42 05-82	PISTON & ROD ASSEMBLY (208CC) EPA III	15	532 42 95-97	FUEL TANK ON/OFF VALVE (1/4-INCH OUTLET)
7	532 42 05-84	CAMSHAFT - MCR (208CC) EPA III	16	580 35 28-01	FUEL TANK CAP (STANT W/ CHAIN NON-VENTED)
8	593 10 95-01	FLYWHEEL - MANUAL START (208CC) EPA III	17	593 10 98-01	CARBURETOR L33-2 (- W/GSKTS) EPA III
9	532 42 05-86	COOLING FAN - FLYWHEEL (PLASTIC - 208CC)	18	593 10 99-01	IGNITION COIL (STOP-IN-CONTROL) EPA III
10	580 35 25-01	CRANKSHAFT (#14 KEYED 208CC SUMMER)	20	532 44 38-98	SPARK PLUG
11	593 10 97-01	AIR FILTER ASSY			

HUSQVARNA REAR TINE TILLER - MODEL NO. TR314C (MFG. ID. NO. 96093002800)
LCT ENGINE, MODEL NUMBER PLMHK14650124P **COMPLETE ENGINE: 590962601**

KEY NO.	PART NO.	DESCRIPTION	KEY NO.	PART NO.	DESCRIPTION
22	593 11 00-01	SHIELD - FLYWHEEL (EPA III)	41	532 44 37-75	POLY PRE-FILTER (USE WITH 'P' AIR CLEANER) (136/208CC)
23	532 43 21-44	FUEL HOSE KIT (1/4' ID X 318MM - SS SNOW)	43	580 35 34-01	BREATHER TUBE (136/208/254CC)
24	593 11 02-01	SPEED CONTROL - MANUAL (STOP-IN-CONTROL)	47	581 00 72-01	HIGH OIL FILL TUBE & DIP STICK
25	532 42 96-46	GOVERNOR GEAR ASSEMBLY (136/208CC)	49	532 43 54-95	OIL DRAIN PLUG W/WASHER (136/208/254CC)
26	532 42 06-01	GOVERNOR ARM & LINK KIT (208CC SUMMER - 2000 IDLE RPM)	65	581 37 28-01	TAPPET KIT (208/254CC)(SET OF 2)
27	532 42 06-02	GOVERNOR ARM PADDLE	70	580 35 36-01	CARBURETOR REPAIR KIT (136/208/254CC)
28	532 43 66-73	RECOIL STARTER ASSY(ROUND STYLE-BLACK)	71	580 35 35-01	SPEED CONTROL KNOB (RED)
29	593 11 03-01	STARTER CUP (USE WITH ROUND STYLE STARTER) EPA III DEEPER CUP	72	NA	MAXX SERIES DECAL KIT
30	532 42 06-05	BLOWER HOUSING - BLACK MANUAL START WO/SWITCH HOLE (208CC) EPA III DEEPER HOUSING	77	532 43 26-88	RECOIL BOLT KIT (3 BOLTS PER KIT)
31	532 44 37-73	CRANKCASE COVER ASSY W/1 LOW OIL FILL PLUG	81	585 29 72-01	WOODRUFF FLYWHEEL KEYS (5-PACK) (5X6X18MM) (208/414CC)
32	532 42 95-99	OIL SEAL KIT (2 PCS FOR 3/4-INCH CRANKSHAFT)	82	585 02 05-03	208CC/254CC CARBURETOR SPACER KIT
34	532 42 92-46	SPARK PLUG BOOT	85	586 32 56-01	FUEL TANK STRAINER
36	532 42 96-01	ENGINE GASKET KIT (208CC)	86	586 32 73-01	CYLINDER HEAD BOLT KIT (4) (136-179-208-254CC)
38	532 42 96-91	ROCKER ARM KIT (208CC)(INCL. GASKET)	87	586 32 69-01	CC COVER BOLT KIT (6) (179-208-254CC)
39	532 44 37-74	CHOKE LEVER (PLASTIC - 208CC)	88	586 32 68-01	MUFFLER MTG STUD KIT (2)
40	532 42 95-98	NON-REMOVABLE PLASTIC PLUG (136/208/254CC)	91	587 52 57-01	CRANKSHAFT GASKET KIT 179-208CC
			9999	586 32 60-01	HIGH ALTITUDE JET (>6,000 FEET)(208CC L33 CARBURETOR)
			9999	593 11 01-01	MUFFLER MANIFOLD SHIELD