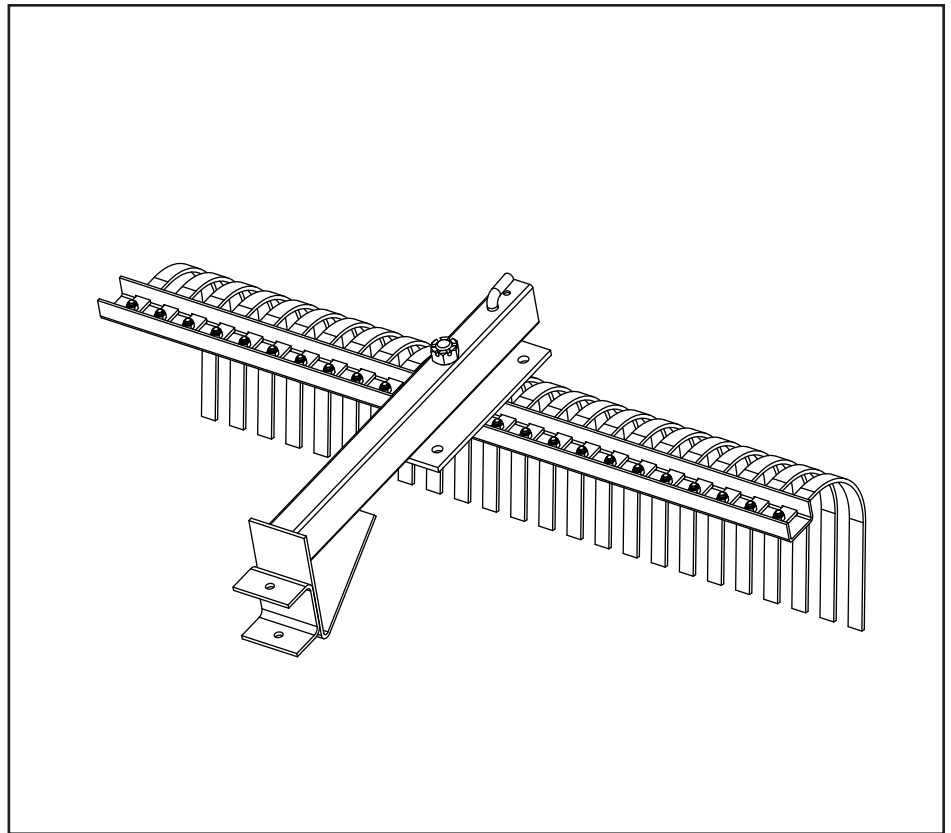




# OWNERS MANUAL

**Model No.  
45-0366**



## 48" SLEEVE HITCH ROCK RAKE

**CAUTION:**  
Read Rules for  
Safe Operation  
and Instructions  
Carefully

- Assembly
- Operation
- Maintenance
- Repair Parts

**SpeedPart** *the fastest way to purchase parts* [www.speedepart.com](http://www.speedepart.com)

# TABLE OF CONTENTS

SAFETY RULES.....	2	MAINTENANCE/STORAGE .....	6
FULL SIZE HARDWARE CHART .....	3	REPAIR PARTS ILLUSTRATION.....	7
CARTON CONTENTS.....	3	REPAIR PARTS LIST.....	7
ASSEMBLY .....	4	PARTS ORDERING/SERVICE .....	Back Page
OPERATION.....	5		

## SAFETY RULES

Any power equipment can cause injury if operated improperly or if the user does not understand how to operate the equipment. Exercise caution at all times, when using power equipment.

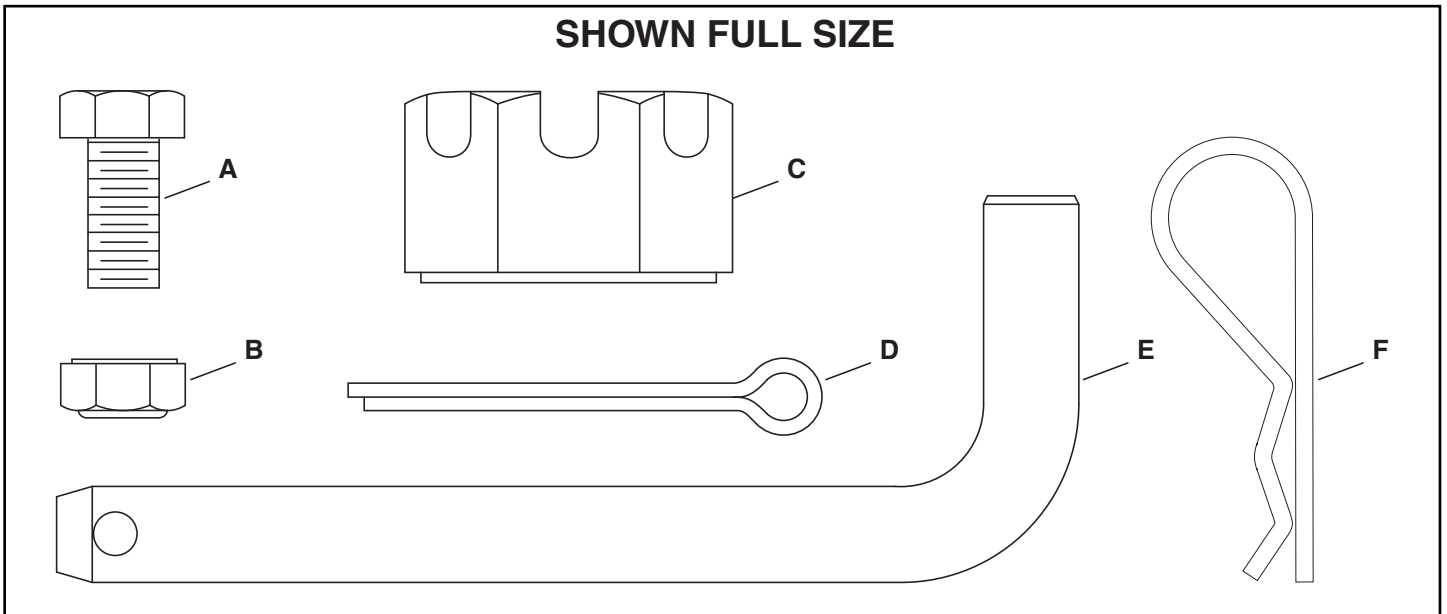
- Read this owners manual and your vehicle and sleeve hitch owners manuals before using this rake.
- Do not allow children to operate the vehicle or rake.
- Do not allow adults to operate the vehicle or rake without proper instructions.
- Do not allow anyone to ride on the rake.
- Before lowering and operating the rake, be sure no one is near the area of operation.
- Lower the rake when leaving the vehicle unattended.
- Vehicle braking and stability may be affected with the attachment of this rake. Drive slowly with the rake in transport position. **Stay off of steep slopes.**
- Stop and inspect for damage after striking an object. Repair any damage before continuing operation.
- Keep all nuts and bolts tight and be sure the equipment is in safe operating condition.
- Always place the sleeve hitch in the lowered position when installing or removing the rake.



LOOK FOR THIS SYMBOL TO POINT OUT IMPORTANT SAFETY PRECAUTIONS. IT MEANS--ATTENTION!! BECOME ALERT!! YOUR SAFETY IS INVOLVED.

# HARDWARE PACKAGE CONTENTS

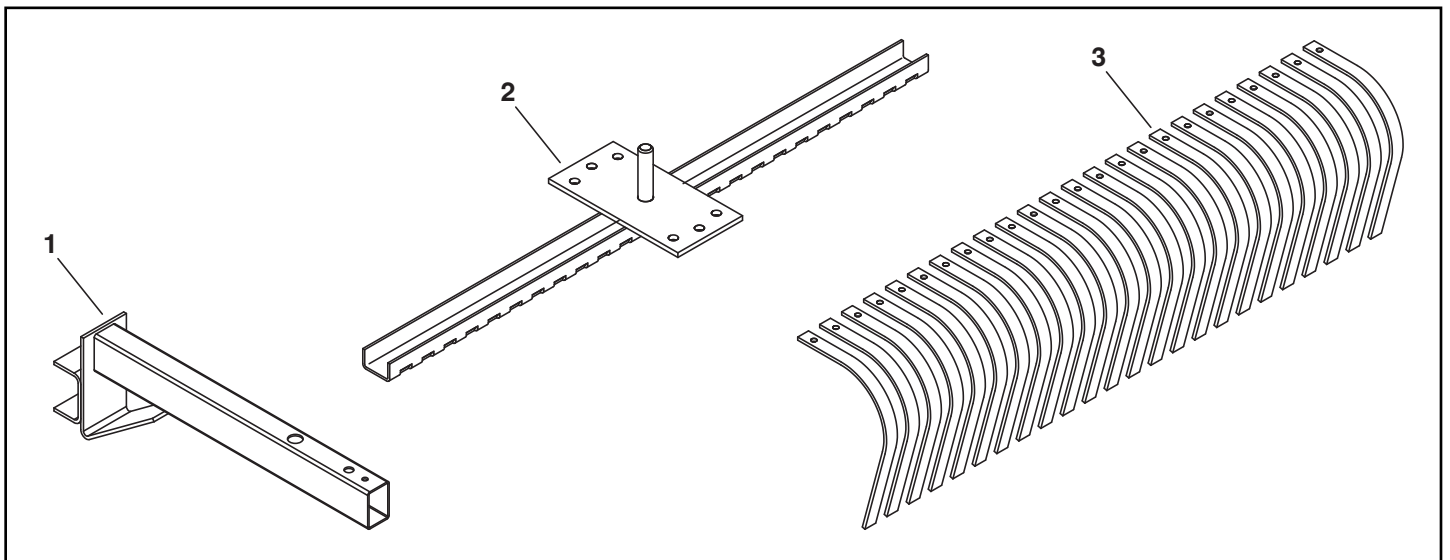
SHOWN FULL SIZE



REF.	QTY.	DESCRIPTION	REF.	QTY.	DESCRIPTION
A	24	Hex Bolt, 3/8" x 1"	D	1	Cotter Pin
B	24	Nylock Hex Nut, 3/8"	E	1	Pivot Pin
C	1	Slotted Hex Nut, 1"	F	1	Haircotter Pin

## CARTON CONTENTS

1. Hitch Assembly
2. Rake Pivot Assembly
3. Rake Tines (24)



# ASSEMBLY

## TOOLS REQUIRED FOR ASSEMBLY

- (2) 9/16" Wrenches
- (2) 1-1/2" Wrenches or 14" Adjustable Wrenches

## REMOVAL OF PARTS FROM CARTON

Remove all parts and hardware packages from the carton. Lay out all parts and hardware and identify.

## ASSEMBLING THE RAKE

1. Attach the 24 rake tines to the rake pivot assembly using a 3/8" x 1" hex bolt and 3/8" nylock hex nut for each tine. Insert the ends of the tines through the slots in the rear of the rake pivot assembly. Make sure all nuts and bolts are securely tightened. See figure 1.

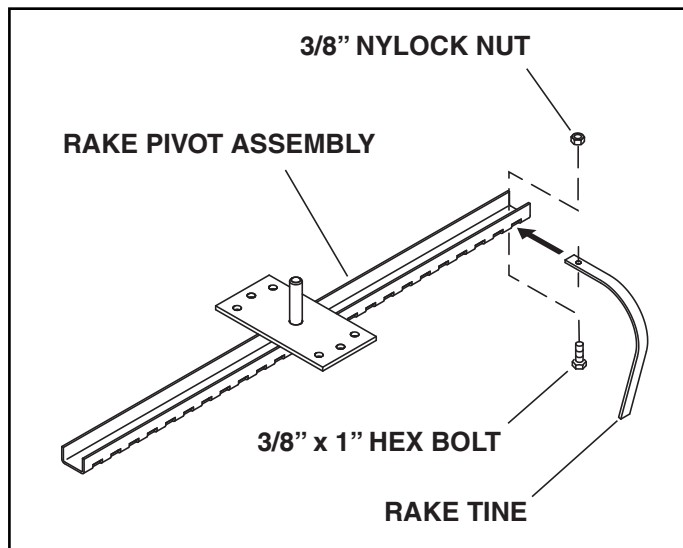


FIGURE 1

2. Align the hitch assembly (pointing in direction shown) and the rake assembly. Place the hitch assembly down onto the threaded stud on the rake assembly and install the 1" slotted hex nut onto the threaded stud. Tighten the nut until it is just snug. See figure 2.

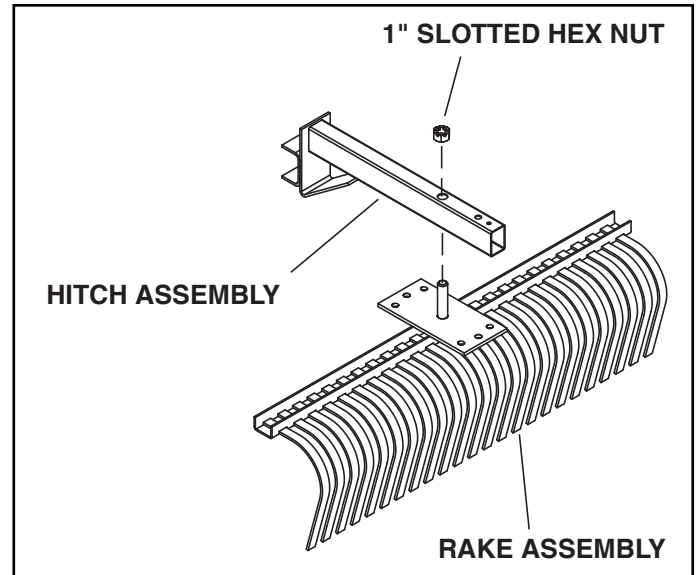


FIGURE 2

3. Back the slotted nut off until the first slot in the nut lines up with the hole in the threaded stud. If the hitch assembly will not pivot on the threaded stud, back the nut off to the next slot. Install the cotter pin through the stud and spread the ends of the pin. See figure 3.

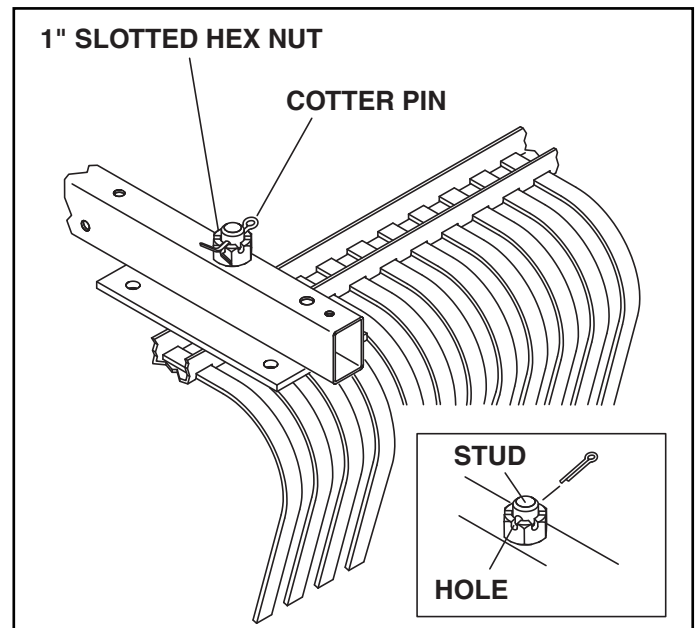


FIGURE 3

4. Lock the rake assembly in the straight ahead position by installing the pivot pin through the hole in the rear of the hitch assembly. Secure the pivot pin using the hair cotter pin. See figure 4.

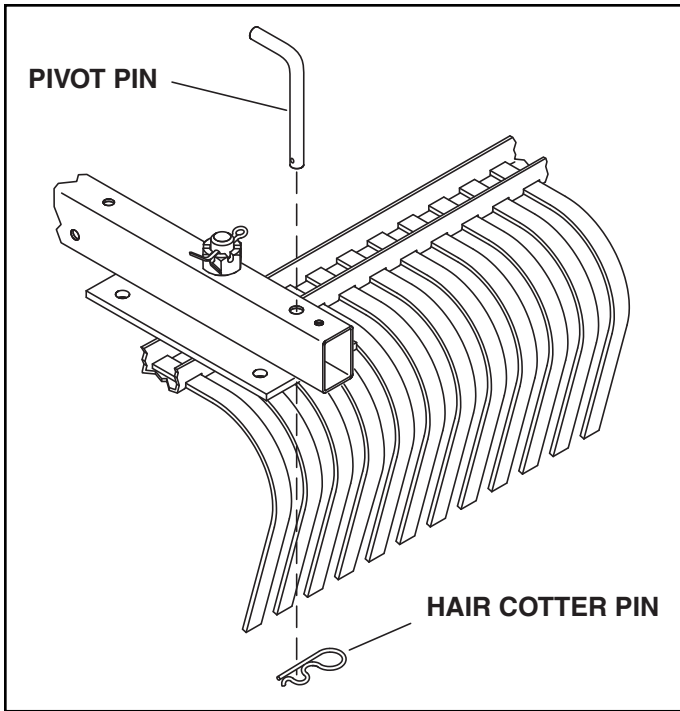


FIGURE 4

## OPERATION

### ATTACHING AND REMOVING RAKE



**CAUTION:** Use care when working around a raised rake. Keep hands and feet out from under the rake at all times. Serious injury can result should the rake drop unexpectedly.



**CAUTION:** Always place the sleeve hitch in the lowered position when installing or removing the rake.

Refer to your sleeve hitch manual and to figure 5.

1. Attach the rake to the sleeve hitch on your tractor using the sleeve hitch pin.
2. Screw the two sleeve hitch stabilizer bolts against the rake hitch and then tighten the jam nuts to eliminate looseness in the hookup.
3. Adjust the sleeve hitch so that the rake is free to go below ground level but can still be raised a minimum of 5" above ground for transport.
4. Stabilizer bolts and jam nuts should be loosened before removing the rake from the sleeve hitch.

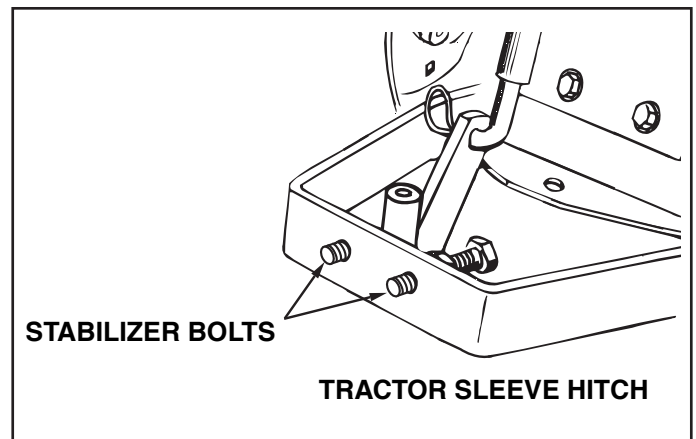


FIGURE 5

## ADJUSTING ANGLE OF RAKE

5. The rake can be angled 24 degrees in either direction as shown in figure 6. To change the angle:
  - a. Raise the rake so that the tines of the rake are off the ground.
  - b. Remove the pivot pin from the hitch assembly.
  - c. Pivot the rake assembly to the right or the left.
  - d. Align the hole in the pivot plate with the hole in the hitch assembly. Install the pivot pin through the aligned holes and secure with the haircotted pin.
6. To reverse the rake, remove the cotter pin and slotted nut from the threaded stud on the rake assembly. Remove the rake pivot assembly from the hitch assembly, rotate it 180 degrees and then reattach it to the hitch assembly.

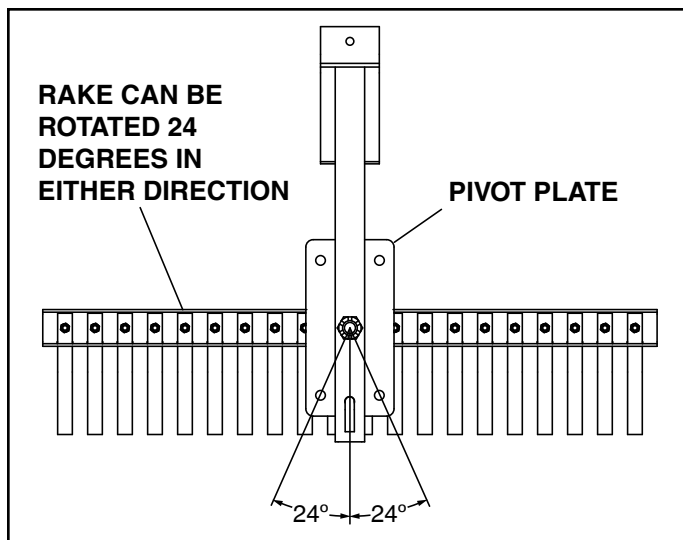


FIGURE 6

## HOW TO USE YOUR RAKE

Use this rake for scraping and leveling of loose or lightly compacted dirt and gravel, and for back filling. For improved traction, use wheel weights and/or tire chains.

7. Before starting, make sure the material to be graded, such as dirt, is dry enough. Squeeze some in your hand and if it forms a ball that does not crumble, the material may be too wet for raking.
8. Drive the tractor at a speed which fits conditions and the type of work being performed. When leveling with the rake, a slower speed will allow loose material to be more evenly deposited in low spots.
9. For light back filling work, the rake assembly can be reversed by rotating it 180 degrees. This allows you to back up with your tractor and push dirt to fill larger holes.
10. Do not back the rake into piles of dirt or gravel at high speed.

## MAINTENANCE

### CHECK FOR LOOSE FASTENERS

Before each use make a thorough visual check of the rake for any bolts and nuts which may have loosened. Retighten any loose bolts and nuts.

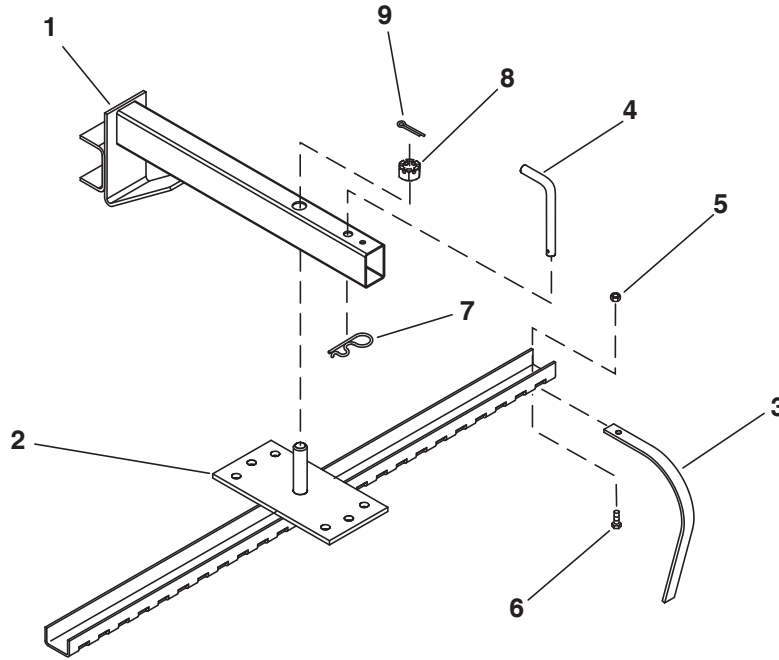
### CLEANING

Wipe off or wash off loose dirt from the rake after each use to help prevent rust.

### STORAGE

1. Remove all dirt and rust and touch up with paint to help prevent rust.
2. Store inside in a clean, dry area.

# REPAIR PARTS FOR MODEL 45-0366 SLEEVE HITCH ROCK RAKE



REF. NO.	PART NO.	QTY.	DESCRIPTION	REF. NO.	PART NO.	QTY.	DESCRIPTION
1	65063	1	Hitch Assembly	6	43001	24	Hex Bolt, 3/8-16 x 1"
2	64780	1	Rake Pivot Assembly	7	43343	1	Hair Cotter Pin, 1/8"
3	25165	24	Rake Tine	8	48968	1	Slotted Hex Nut, 1"-8
4	48978	1	Pivot Pin	9	46855	1	Cotter Pin, 3/16" x 2"
5	HA21362	24	Hex Nut, 3/8-16 (Nylock)		49419	1	Owner's Manual

**SpeedPart** *the fastest way to purchase parts* [www.speedepart.com](http://www.speedepart.com)

***SpeedPart*** *the fastest way to purchase parts* [www.speedepart.com](http://www.speedepart.com)

**REPAIR PARTS**

Agri-Fab, Inc.  
809 South Hamilton  
Sullivan, IL. 61951  
217-728-8388  
[www.agri-fab.com](http://www.agri-fab.com)